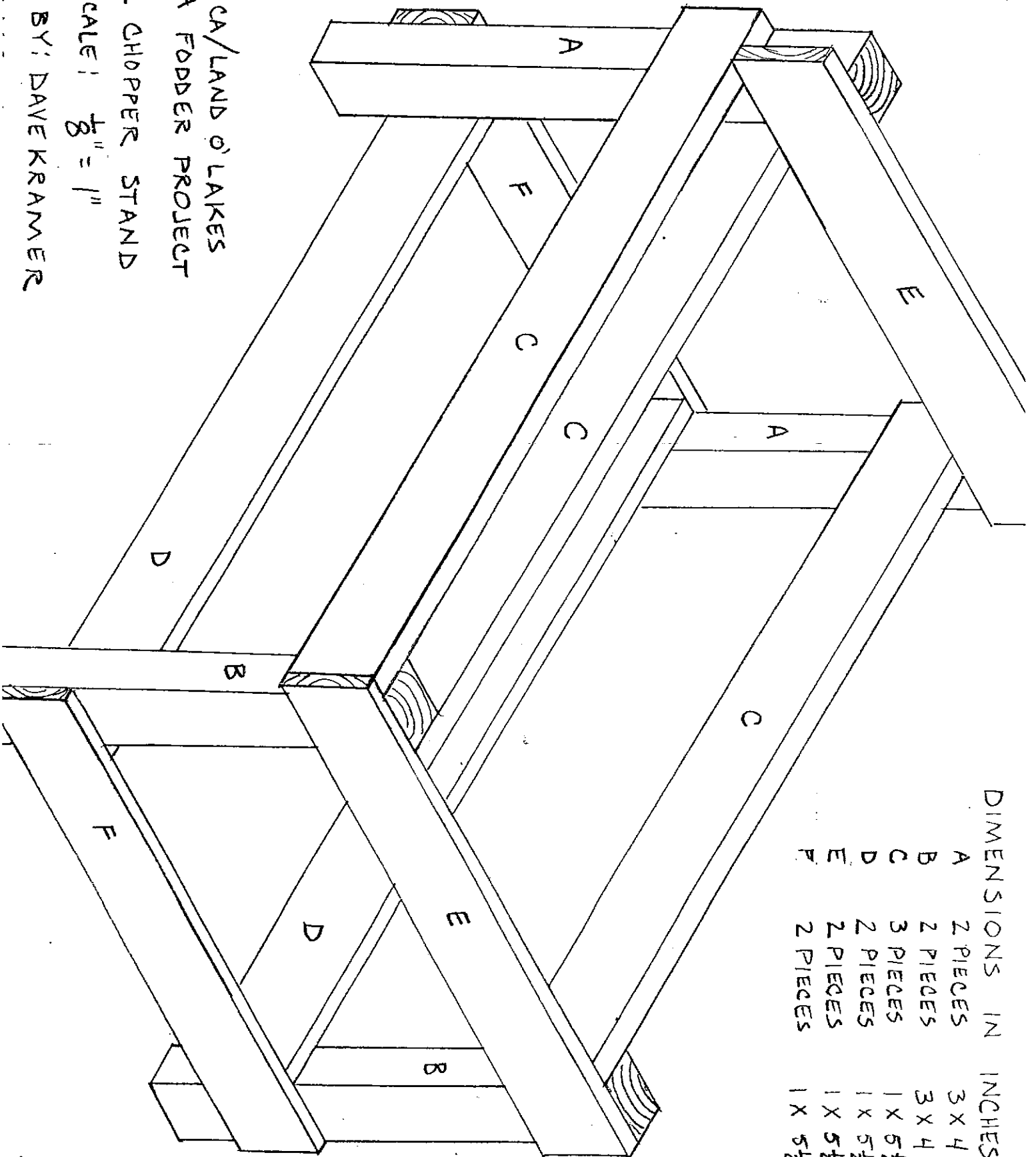


DIMENSIONS IN INCHES

A	B	C	D	E	F
2 PIECES	2 PIECES	3 PIECES	2 PIECES	2 PIECES	2 PIECES
3 X 4 X 34	3 X 4 X 28	1 X 5 1/2 X 49	1 X 5 1/2 X 49	1 X 5 1/2 X 33	1 X 5 1/2 X 31 1/2



ACDI VOCA/LAND O' LAKES
UGANDA FODDER PROJECT

FODDER CHOPPER STAND

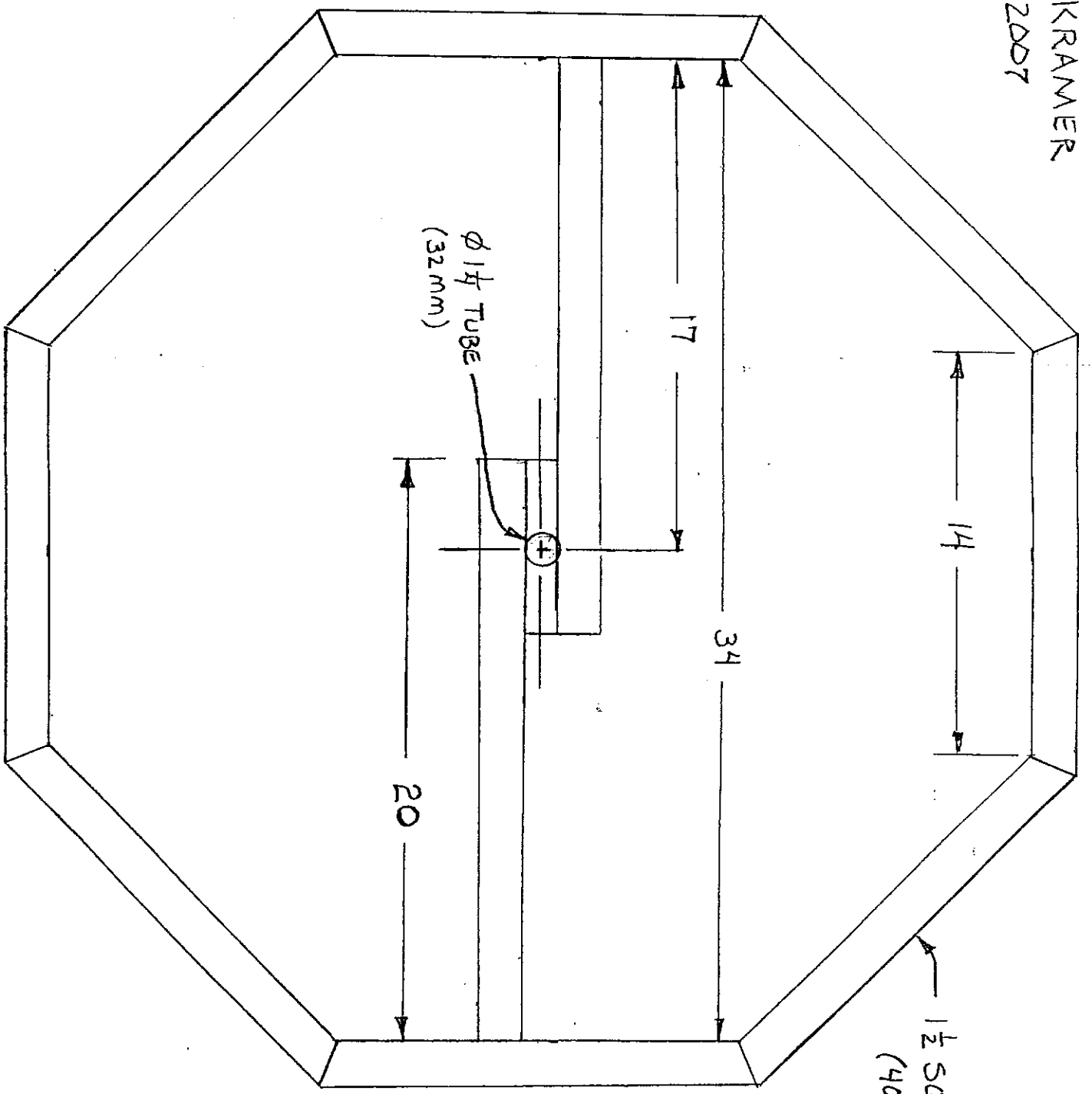
ROUGH SCALE: $\frac{1}{8}'' = 1''$

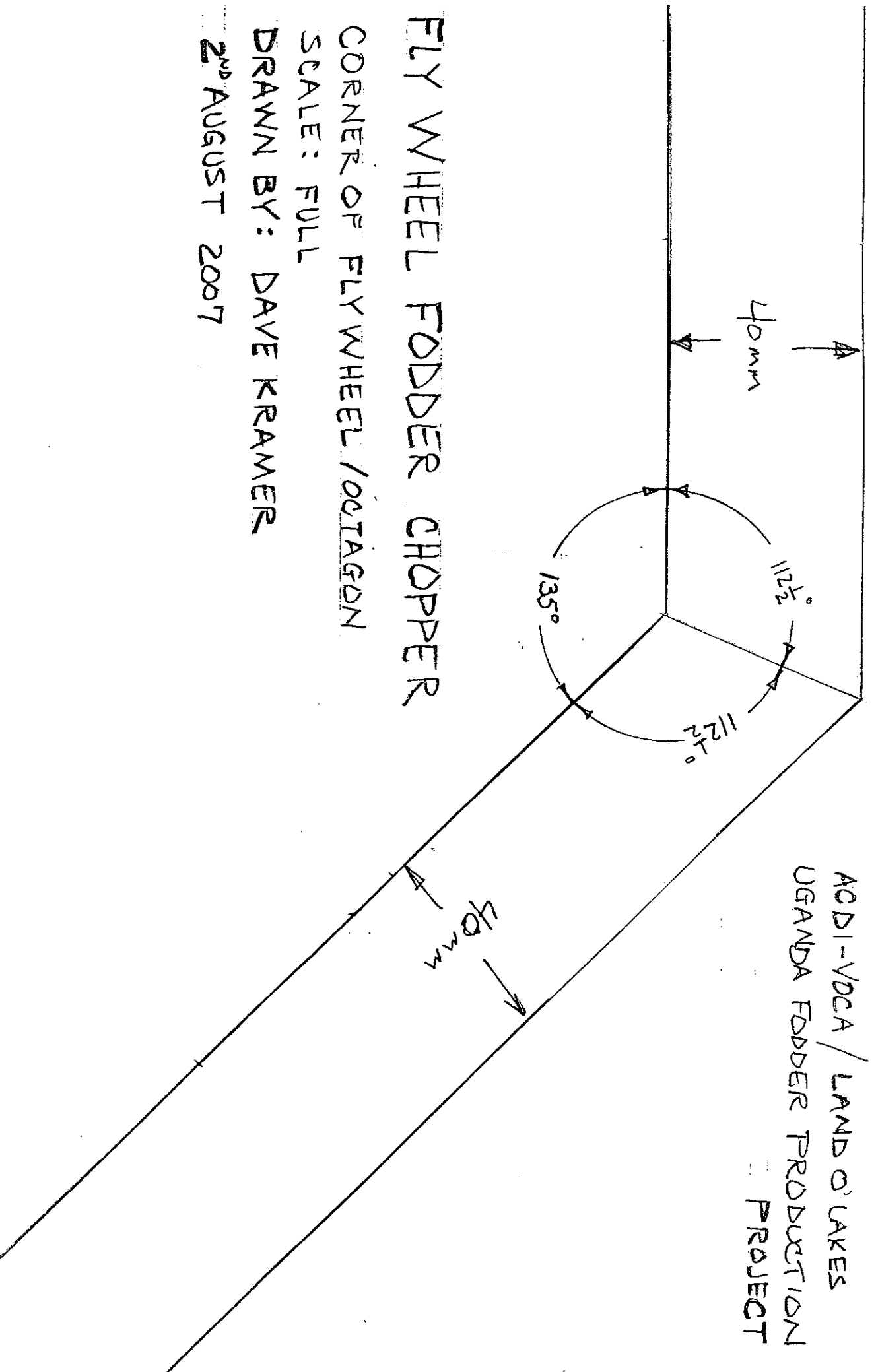
DRAWN BY: DAVE KRAMER

LAND O' LINDSAY
ACDIVDGA FODDER CHOPPER FLYWHEEL

SCALE 5mm = 1 INCH

DRAWN BY: D. KRAMER
5th AUGUST, 2007





FLY WHEEL FODDER CHOPPER

CORNER OF FLY WHEEL / OCTAGON

SCALE: FULL

DRAWN BY: DAVE KRAMER

2ND AUGUST 2007

ACDI-VDCA / LAND O' LAKES
UGANDA FODDER PRODUCTION
PROJECT